


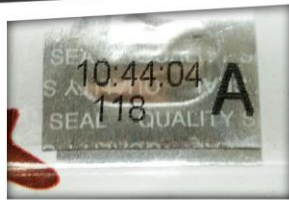
RNJet



www.rnmark.com



Coding and Marking Solutions
Made in Canada 



Introducing the RNJet, small character inkjet printer that offers flexible and economical options. The RNJet is your best alternative to CIJ or Valve-Jet Printers. Since RNJet uses a Piezo high resolution technology, it does not require costly parts (i.e. pump, valves, diaphragm, air supply, etc.)

Specifications

- ▶ Dual heads controller
- ▶ Standard single head included ink system
- ▶ font size from 8 to 128 pixels
- ▶ Printing height: 18 mm (1 to 8 lines)
Print all true type fonts
- ▶ Up to 100m/min for large fonts
(72m/min for Barcode and 2mm Fonts)
- ▶ Printing logo, barcode, shift code, counter, time and date
- ▶ Incremental and decremental numbering
- ▶ Multi language
- ▶ Print cost calculator system
- ▶ Orientation horizontal and vertical printing
- ▶ USB connectivity
- ▶ Lead free and RoHS compliance electric boards
- ▶ Weight: 2.5 Kg

Options

- ▶ Twin heads (Stitched/two heads)
- ▶ Two spot color printer (e.g Black & Red)

External Power Supply

- ▶ External power supply
- ▶ Single phase 100-240v 50/60 Hz 1.0A
- ▶ Output 12V 40W max
- ▶ Operating temperature of 5-45°C
- ▶ Secure Electrical failure mode
- ▶ Power supply approved by GS,CE, & UL

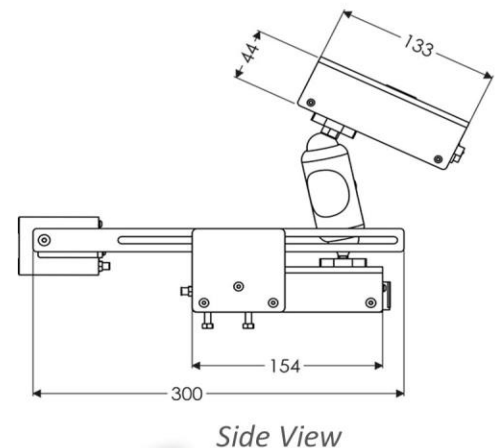
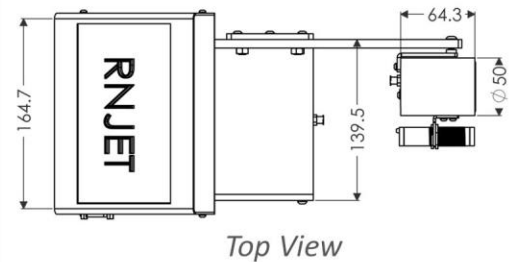
Data Input

- ▶ Photocell
- ▶ Encoder
- ▶ External Devices (RS232)
- ▶ Barcode Scanner, Weighter Machine, etc.

Ink

- ▶ 110 ml sealed ink cartridge
- ▶ Oil based for porous printing surfaces
- ▶ Solvent based for non-porous printing surfaces (CFIA Approval)
- ▶ Food grade (USDA Approval)

Dimensions (mm)



www.rnjet.com



Coding and Marking Solutions

25-16 Sims Cres
Richmond Hill, ON, L4B 2P1
Canada
Tel: 1- (647) 931-7236
Fax: 1-(647) 931-7240
Toll Free: 1 - 866 334 5991
info@rnmark.com
www.rnmark.com



RN Mark Inc. is a global distributor and manufacturer of marking and coding solutions. We welcome distributors as we are growing fast and our footprints across the industry is becoming more visible.